

SPM 200X - Digital Tachometer

- | |
|---|
| - Tachometer for an economical price |
| - Highly visible display |
| - High accuracy in whole meas. range |
| - Measuring range 10...9999 ft/min |
| - Magnetic sensor and magnet are included |



The digital panel meter SPM 200X offer you very reliable high accuracy tachometer for an economical price. It is available with 4 digit highly visible display. The measuring input is electrically insulated from power supply. The meter provides galvanic insulated output for powering signal sensor.

Depending on input frequency, the meter changes between cycle period measuring and pulse counting. Readout will be activated at the end of cycle for low speed or every 0.5sec for higher speed.

The SPM 200x has a jumper inside that allows to choose between 420mm and 620mm wheel. The jumper is found behind the front plate on the left corner. In the default setting the jumper is on that means 420 mm wheel. For 620mm setting just remove the jumper.

For sensor installation look at the picture 1.3 . Pay attention for magnet position and distance between magnet and sensor. Color marker must look against the sensor (picture 1.1)

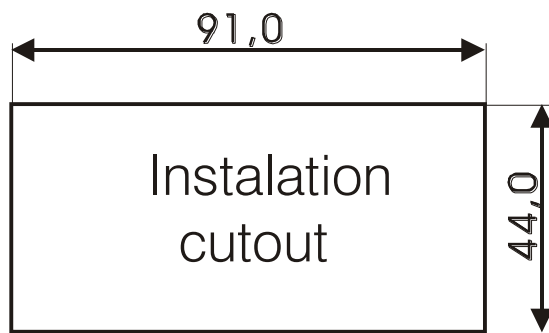
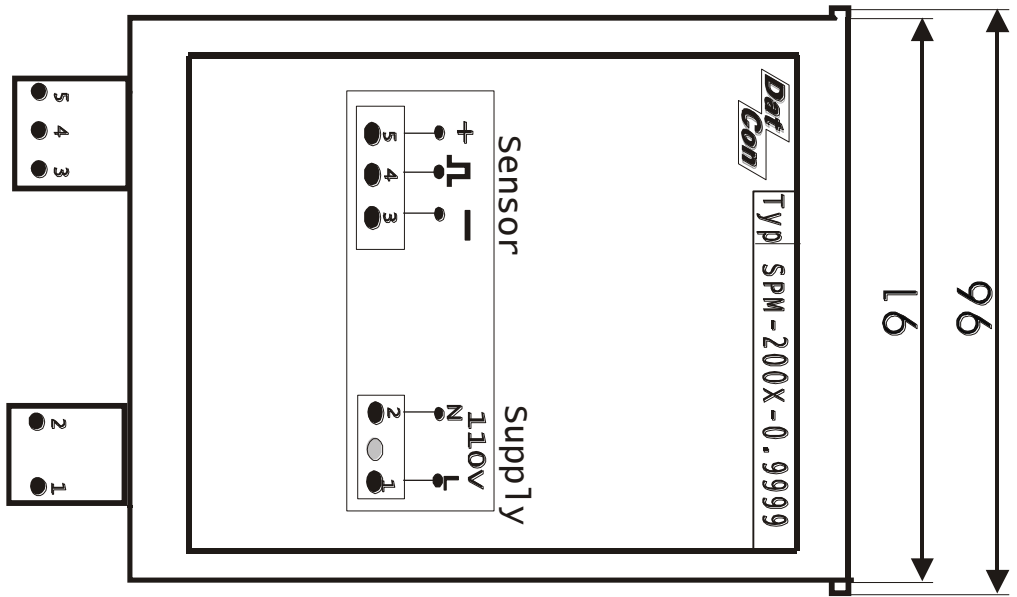
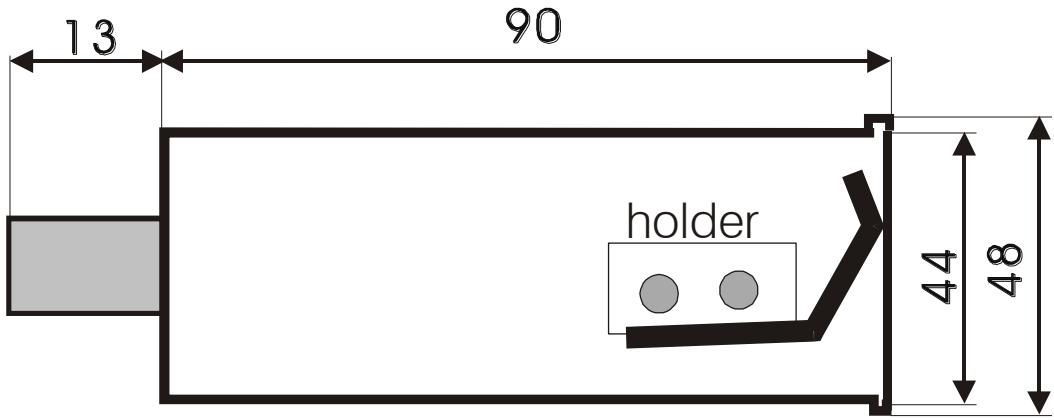
Technical data:

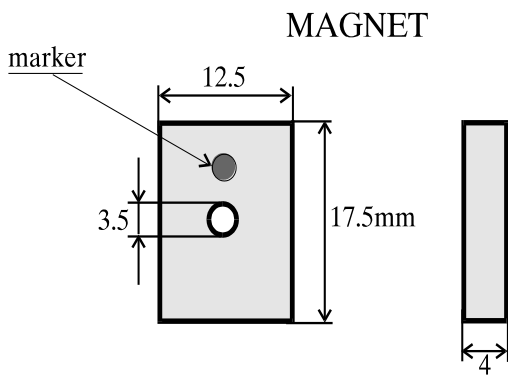
Model type: <ul style="list-style-type: none"> • SPM 200X → 4digits 	Case details: <ul style="list-style-type: none"> • DIN 43700, mat.→ Noryl • IP 52 front • IP 20 rear
Supply Voltage: 110(230)V _{ac} ± 15% Frequency: 48-62 Hz Power consumption: ≤4,5 VA Isulation Voltage : 2,5 kV _{dc}	Dimensions: H 48 × W 96 × D 90 mm Installation cutoff: H 44 × W 91 mm
Sensor supply output: <ul style="list-style-type: none"> • Voltage: 5 V • Current: 4 mA • Insulation between output and supply: 2,5 kV 	Price include: <ul style="list-style-type: none"> • SPM 200X • 2 × Holders • 1 × Magnetic sensor HS 02 • 1 × Magnet FM 02
Measuring range: <ul style="list-style-type: none"> • 1....9999 rev/min (feet/min) • accuracy ±1 rev/min 	Display: <ul style="list-style-type: none"> • 4digit, H = 13mm, 7 segm. high contrast LED display
Environmental Conditions <ul style="list-style-type: none"> • Operating temp.: 0.... +60 °C • Storage temp. : -20.... +70 °C 	Options: <ul style="list-style-type: none"> • Unit: rev./min, ft/min • OEM logo: none,on request..

Spare parts list:

Model type:	Type:
Digital Tachometer-complet	SPM 200X
Digital Tachometer	SPM 200
Sensor	HS 02
Magnet	FM 02

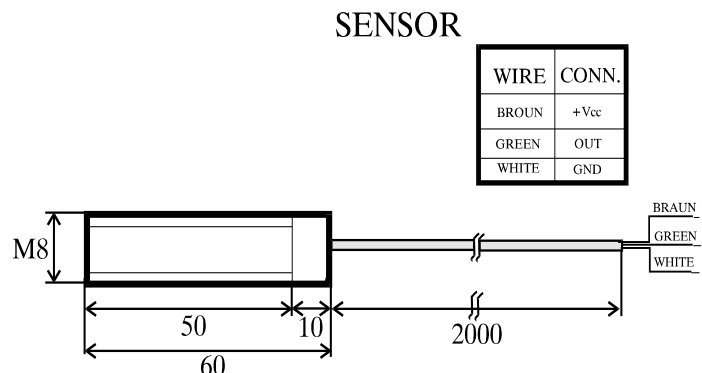
Dimensions (mm):





Typ: FM 02

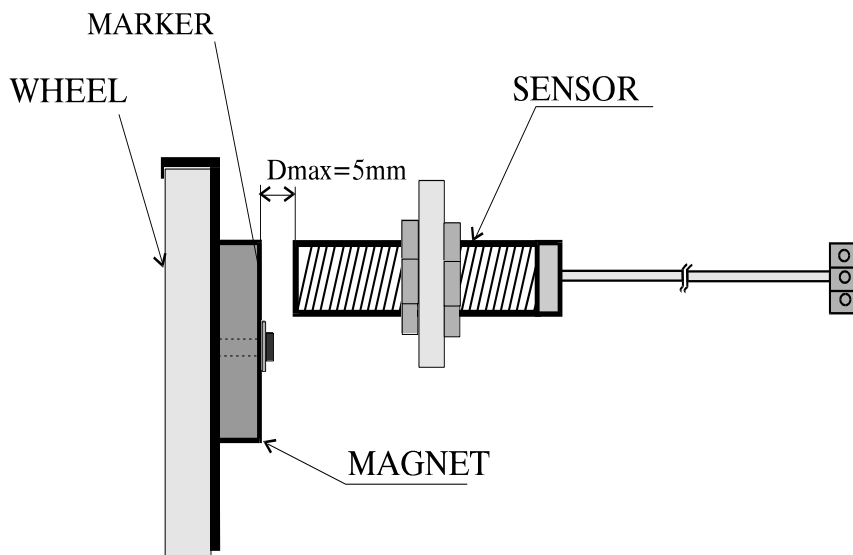
Picture 1.1



Typ: HS 02

Picture 1.2

Sensor Installation



Picture 1.3

Spare parts price list:

Model type:	Type:	Price:
		EUR
Digital Tachometer-complet	SPM 200X EU/USA	79/87
Sensor	HS 02	18
Magnet	FM 02	4